

For this product,
you need

15
boards

ante



Assembly manual

Plant pot

l95cm x d92cm x h45cm

Please remember about the assembly set.
You can find the corresponding paint in
the upper part of the rack.

Article no.: **51173xxx**

croard.com



Version 1.1.0.

CROARD Creative Board

Assembly



Assembly time



Number of people



Number of steps

Tools



Cordless screwdriver



Circular saw



Measure



Sanding block

Accessories

The assembly set contains:

- a. 12 pc. angle 30x30x30 mm
- b. 154pc. stainless steel screws TORX V2A 3x30 mm
- c. 16 pc. stainless steel screws TORX V2A 3x16 mm
- 1 pc. drilling template
- 1 pc. wood drill 2.5 mm
- 1 pc. bit TORX 10

Wood is a natural product, therefore it may shrink spontaneously, depending on the air humidity. Thus, it is possible for the board dimensions to vary by +/- 0.5 mm in thickness and +/- 2 mm in width. Therefore, during assembly it is necessary to account the natural size difference. This means that if the assembly manual specifies dimensions, they should be corrected or changed as necessary, in order to keep the distances the same.

To watch a video assembly guide, scan the QR code





If you chose the variant with pre-cut or pre-cut and pre-drilled boards, start the assembly from the respective step.

Step 1

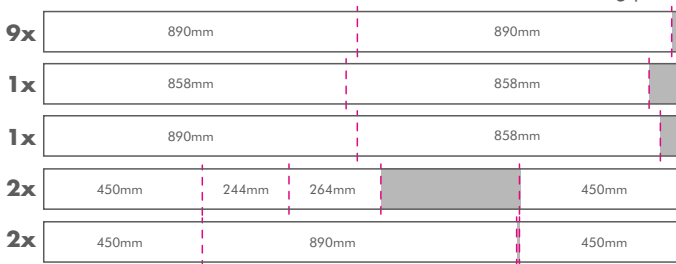
You need:

15 boards (16mm x 114mm x 1800mm)

Step 2

Measurement

Mark all the board and cut them in accordance with the cutting plan.



*The **CROARD** sign can be sanded of, if necessary!



Step 3

List of parts

Arrange cut boards as shown on the included template.

WALL A x2



WALL B x2



FLOWER BOX BOTTOM C



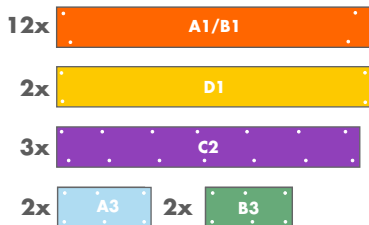
ELEMENT D



Step 4

Drilling template

Use the drilling template to mark the holes. For initial drilling, use the included 2.5 mm drill bit. Drill only as many boards as specified next to the drilling template. Pay attention to appropriate colours, in order to match the holes to the respective board.



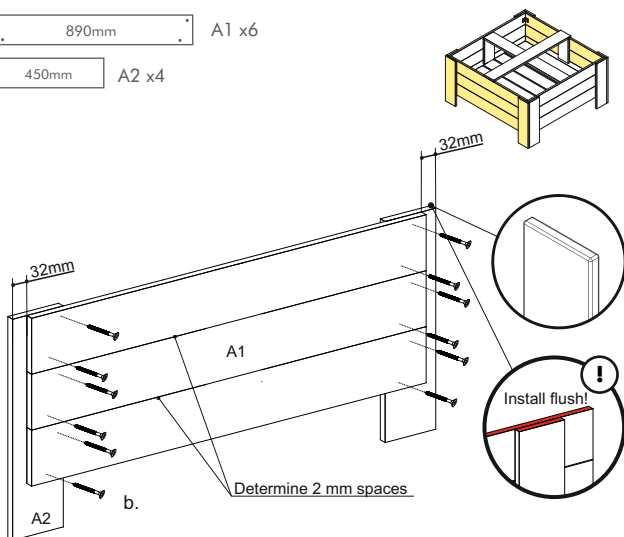
Step 5

b.) 3x30mm 24 pc.

890mm A1 x6

450mm A2 x4

WALL A x2

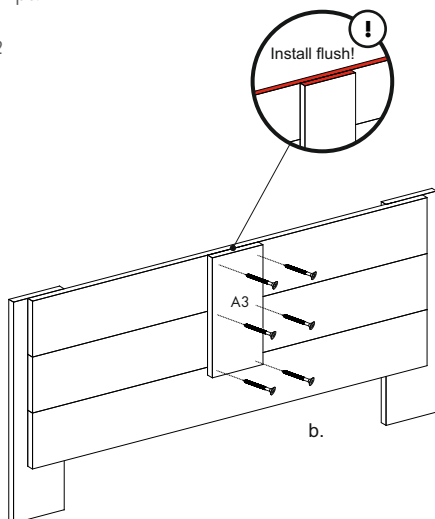


A2 - bevelling upward

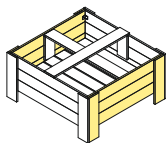
Step 6

b.) 3x30mm 12 pc.

264mm A3 x2



A3 - bevelling upward

WALL B x2**Step 7**

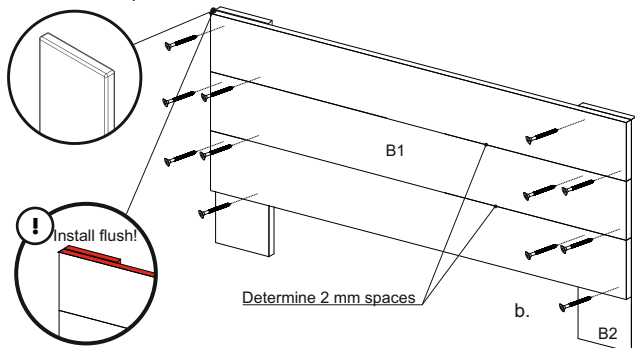
b.) 3x30mm 24 pc.

B1 x6

890mm

B2 x4

450mm



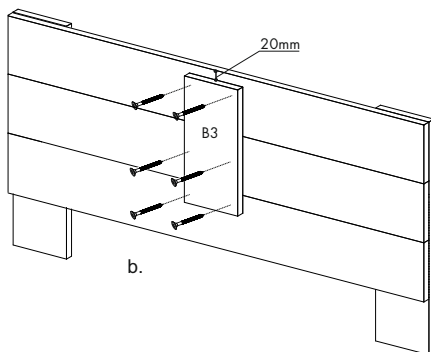
B2 - bevelling upward

Step 8

b.) 3x30mm 12 pc.

B3 x2

244mm



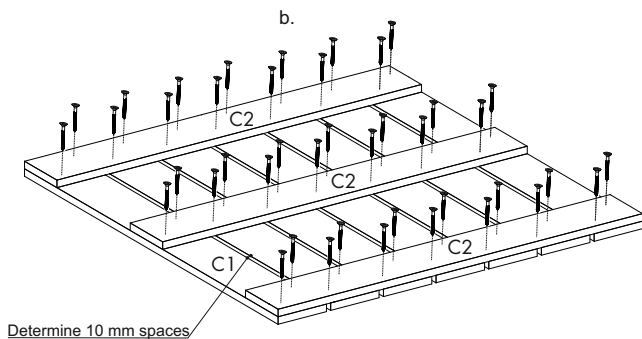
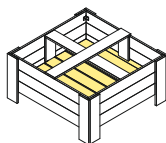
B3 - bevelling upward

Step 9

b.) 3x30mm 42 pc.

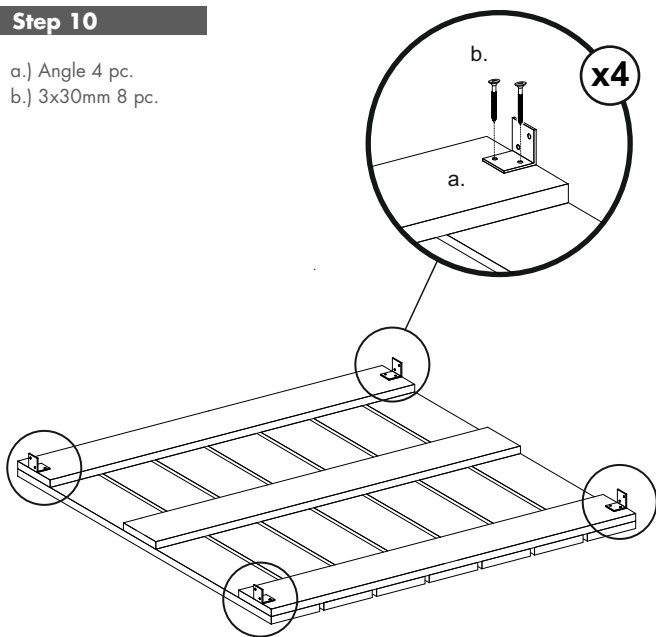
890mm C1 x7

858mm C2 x3

**Step 10**

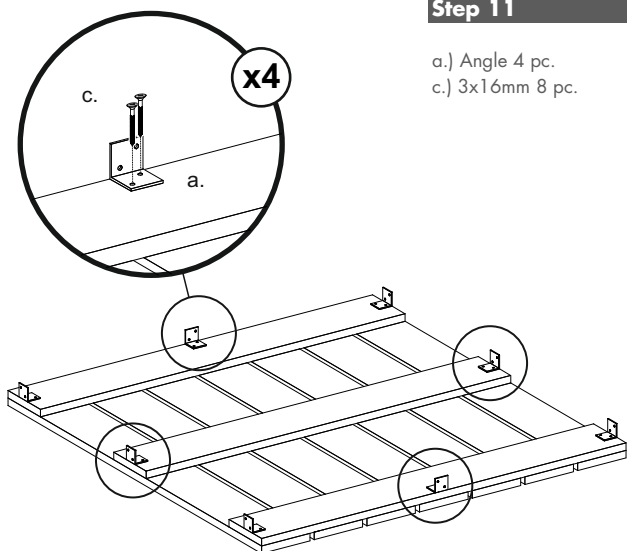
a.) Angle 4 pc.

b.) 3x30mm 8 pc.

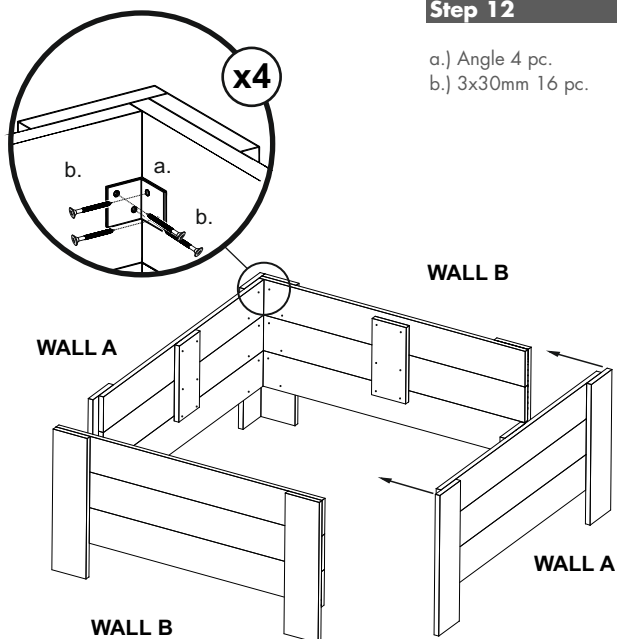


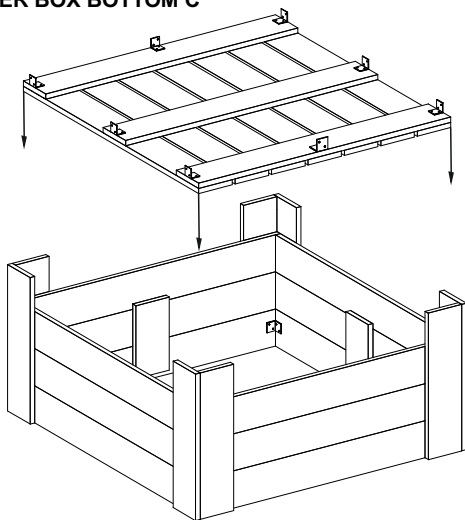
Step 11

- a.) Angle 4 pc.
c.) 3x16mm 8 pc.

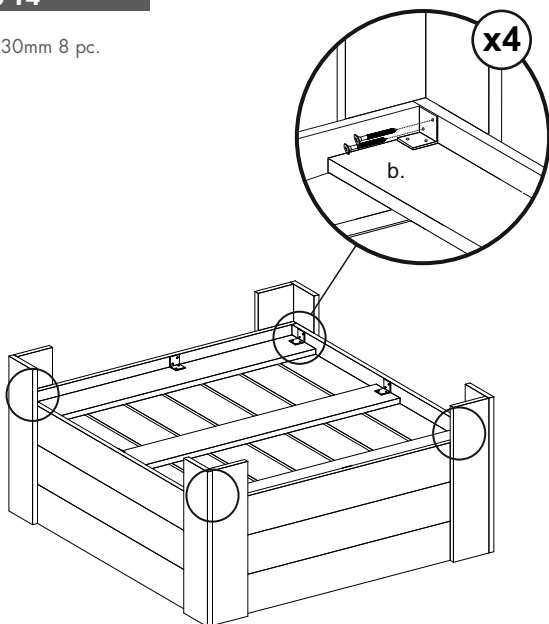
**Step 12**

- a.) Angle 4 pc.
b.) 3x30mm 16 pc.



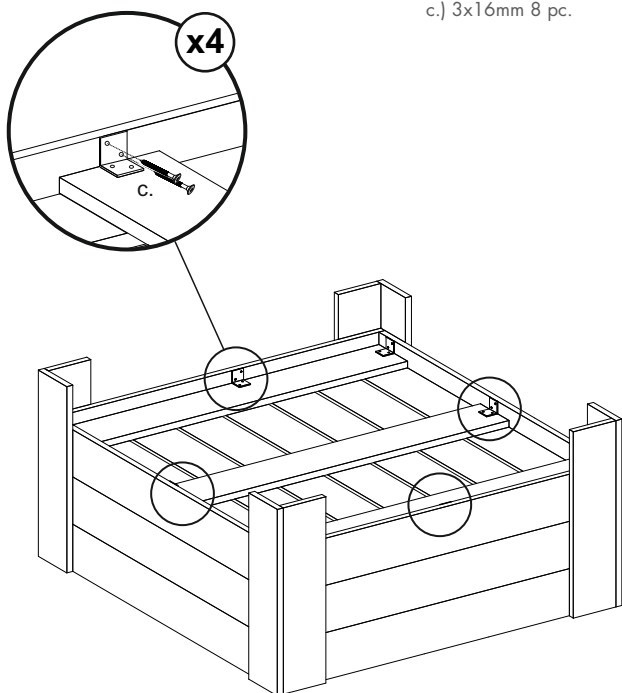
Step 13**FLOWER BOX BOTTOM C****Step 14**

b.) 3x30mm 8 pc.

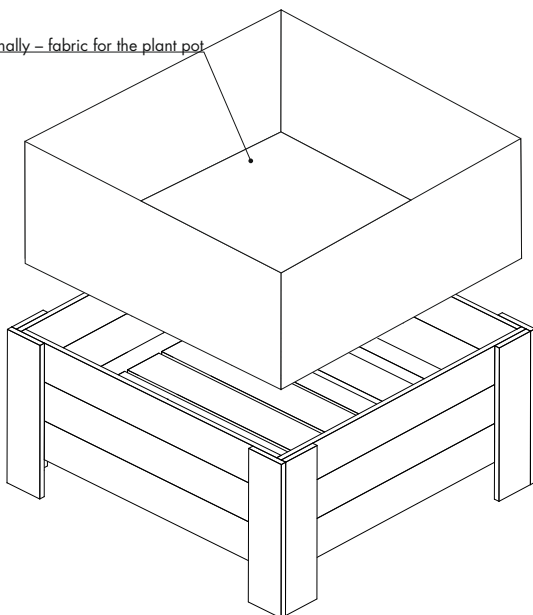


Step 15

c.) 3x16mm 8 pc.

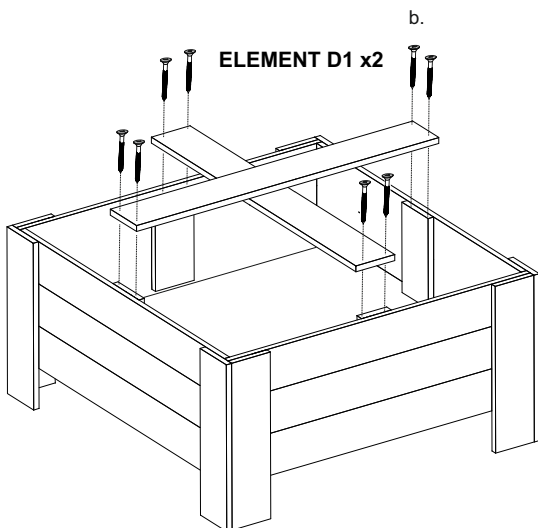
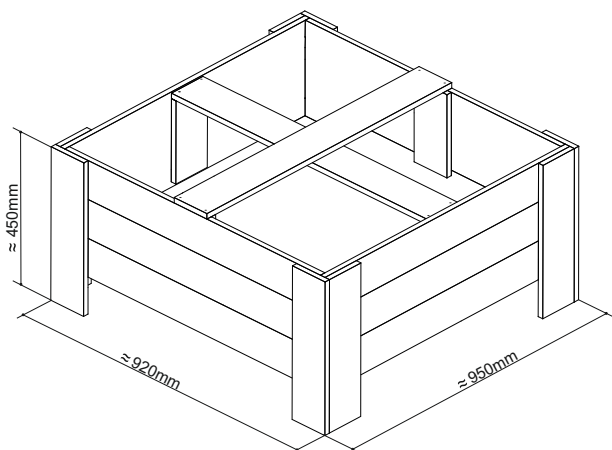
**Step 16**

Optionally – fabric for the plant pot



Step 17

b.) 3x30mm 8 pc.

 890mm D1 x2**Step 18**

*The **CROARD** sign can be sanded of, if necessary!



CROARD

Among the CROARD products, you can find everything you need for your projects!



Feel free to browse other products:



Privacy screen
180cm x 180cm



Waste bin enclosure
92cm x 92cm x 120cm



Sandbox
140cm x 140cm x 25cm



High flower bed
95cm x 48cm x 89cm



Firewood stand
190cm x 97cm x 182cm

View more on
croard.com