

For this product,
you need

51
boards

ante



Assembly manual

Playhouse

l125cm x d125cm x h190cm

Please remember about the assembly set.
You can find the corresponding paint in
the upper part of the rack.

Article no.: **4027xxx**

croard.com



Version 1.1.1.

Assembly



Assembly time



Number of people



Number of steps

Tools



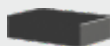
Cordless screwdriver



Circular saw



Measure



Sanding block

Accessories

The assembly set contains:

- a. 29 pc. angle 30x30x30 mm
- b. 458pc. stainless steel screws TORX V2A 3x30 mm
- c. 14 pc. stainless steel screws TORX V2A 3x16 mm
- 1 pc. drilling template
- 1 pc. wood drill 2.5 mm
- 1 pc. bit TORX 10

Wood is a natural product, therefore it may shrink spontaneously, depending on the air humidity. Thus, it is possible for the board dimensions to vary by +/- 0.5 mm in thickness and +/- 2 mm in width. Therefore, during assembly it is necessary to account the natural size difference. This means that if the assembly manual specifies dimensions, they should be corrected or changed as necessary, in order to keep the distances the same.

To watch a video assembly guide, scan the QR code





If you chose the variant with pre-cut or pre-cut and pre-drilled boards, start the assembly from the respective step.

Step 1

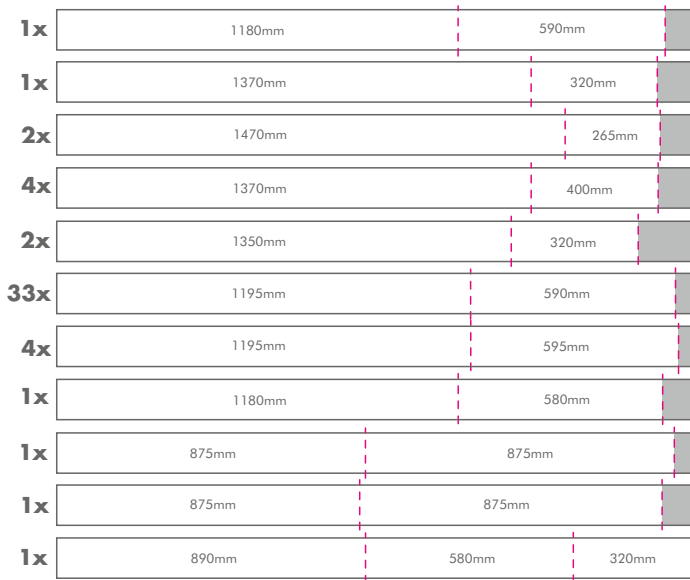
You need:

51 boards (16mm x 114mm x 1800mm)

Step 2

Measurement

Mark all the board and cut them in accordance with the cutting plan.



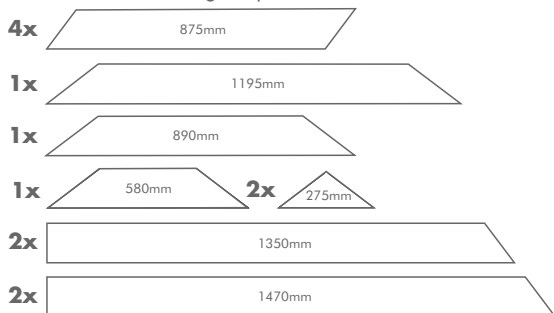
*Bevel the cut edges using the sanding block



Step 3

Cutting the miters

Some boards need to be mitered. Select the appropriate boards and cut the boards with the appropriate angles. Pay attention to the cut lines on the drilling template.



Step 4

List of parts

Arrange cut boards as shown on the included template.

FLOOR A



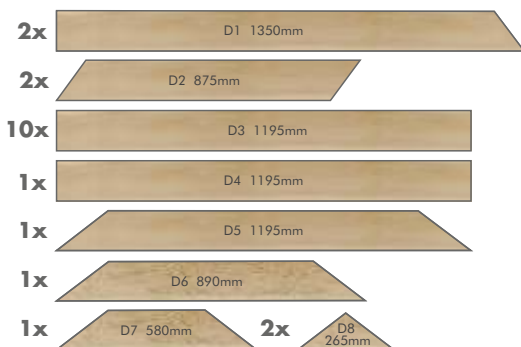
WALL B



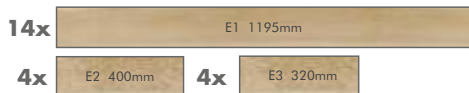
WALL C



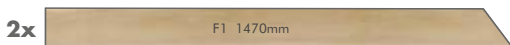
WALL D



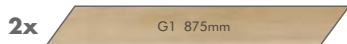
ROOF E x2



ELEMENT F

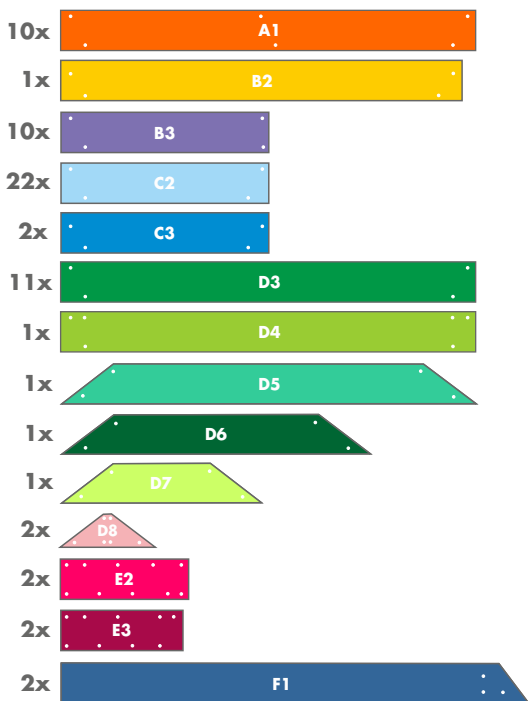


ELEMENT G



Step 5**Drilling template**

Use the drilling template to mark the holes. For initial drilling, use the included 2.5 mm drill bit. Drill only as many boards as specified next to the drilling template. Pay attention to appropriate colours, in order to match the holes to the respective board.





Make the bolts flush with the surface, **do not drive them deeper**, to prevent the bolts from jutting out on the other side of the board! Otherwise, a risk of laceration exists!

Step 6

a.) 3x30mm 12 pc.



A1 x2

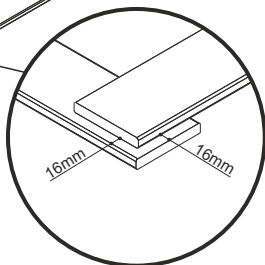
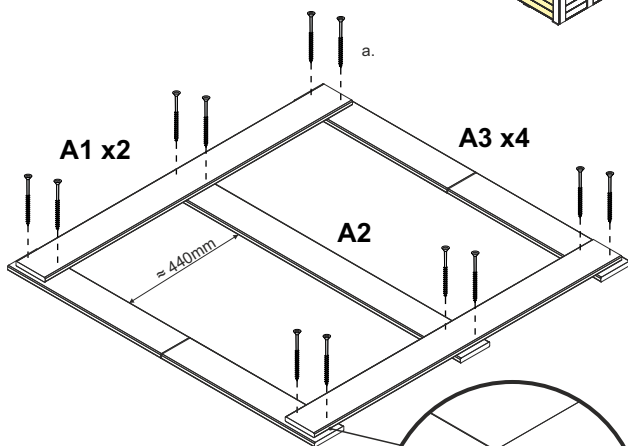


A2 x1

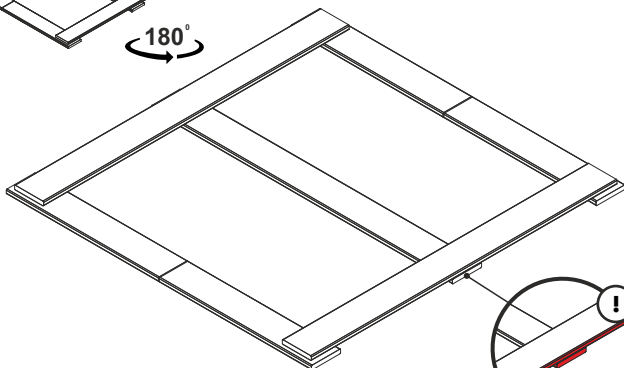
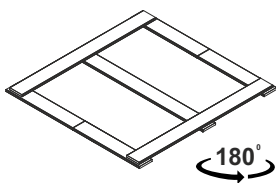


A3 x4

FLOOR A



Step 7

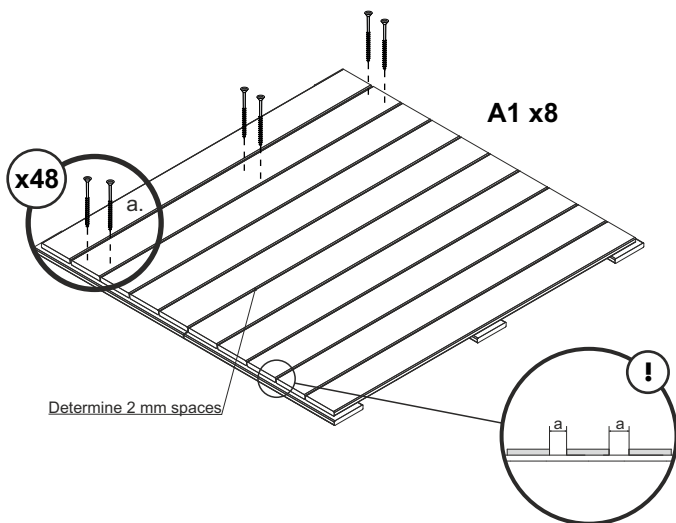


Step 8

a.) 3x30mm 48 pc.

A1 x8

1195mm

**Step 9**

b.) 3x30mm 20 pc.

WALL B

B1 x2

1370mm

B2 x1

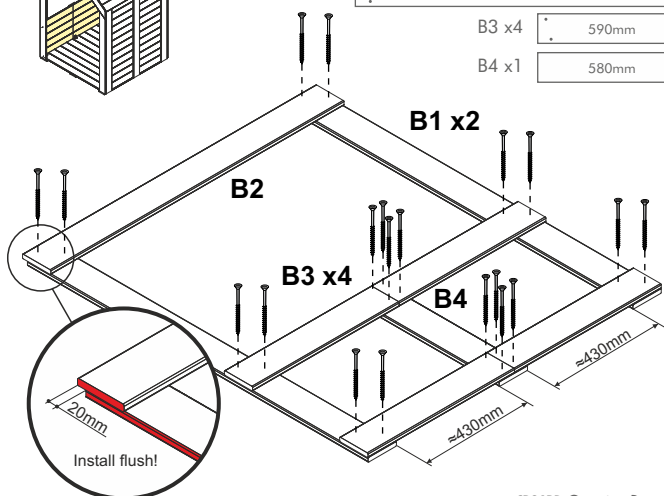
1180mm

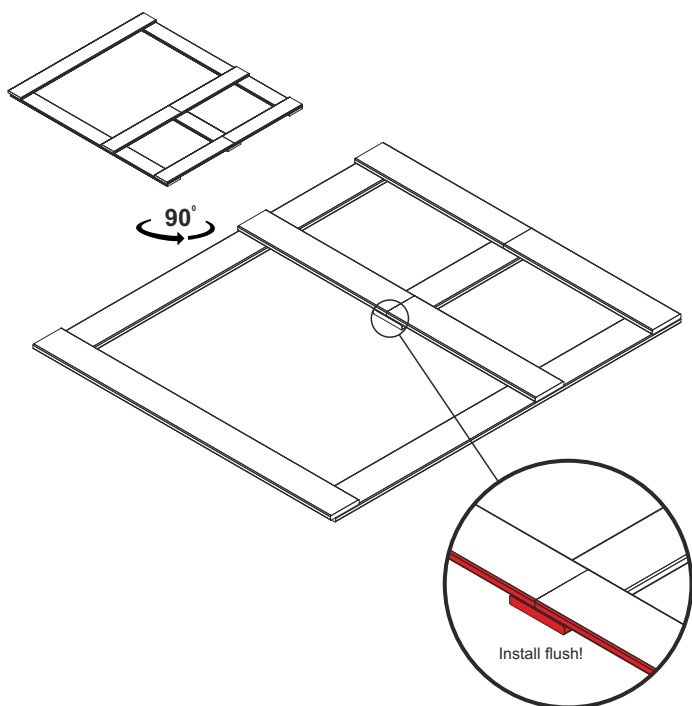
B3 x4

590mm

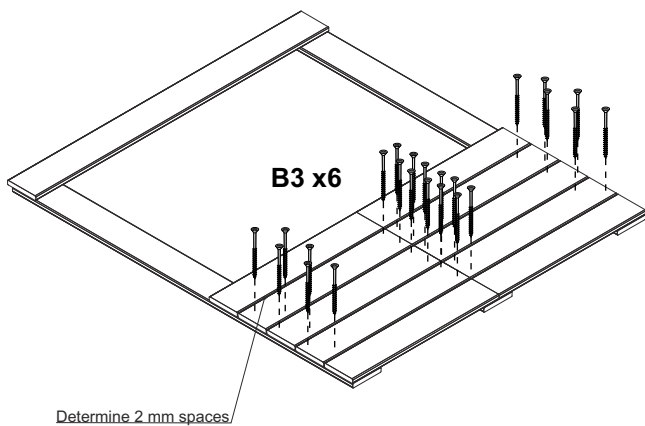
B4 x1

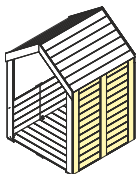
580mm



Step 10**Step 11**

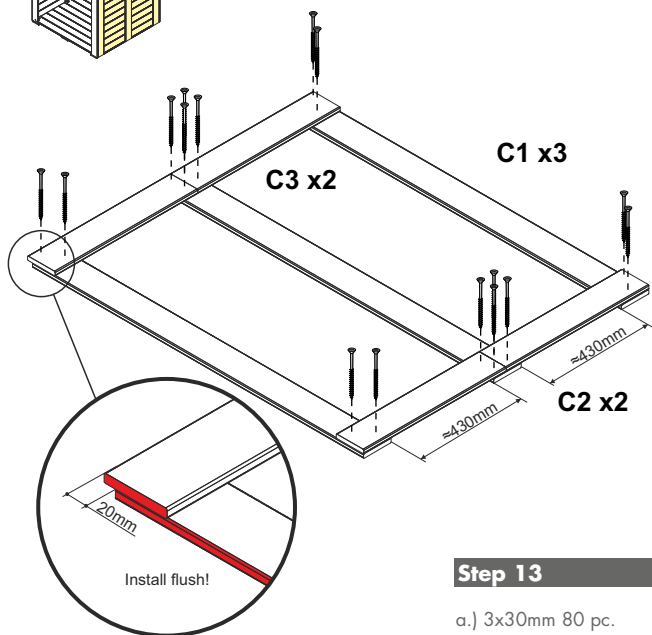
b.) 3x30mm 24 pc.

 590mm B3 x6

WALL C**Step 12**

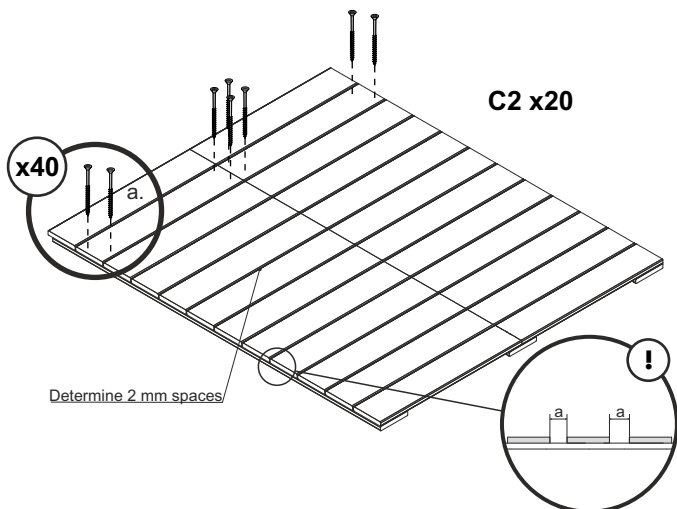
b.) 3x30mm 16 pc.

C1 x3	1370mm
C2 x2	590mm
C3 x2	590mm

**Step 13**

a.) 3x30mm 80 pc.

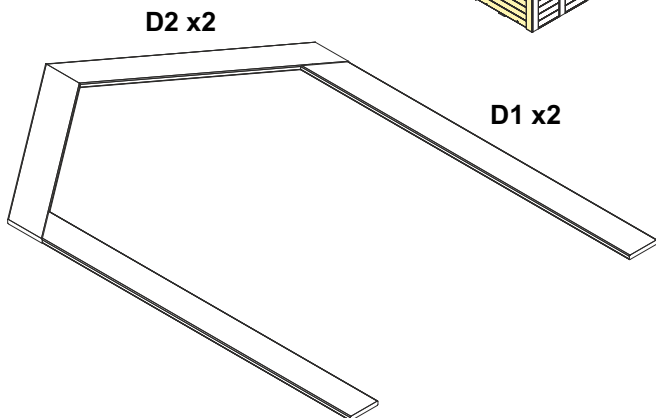
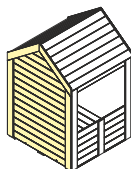
C2 x20	590mm
--------	-------



Step 14

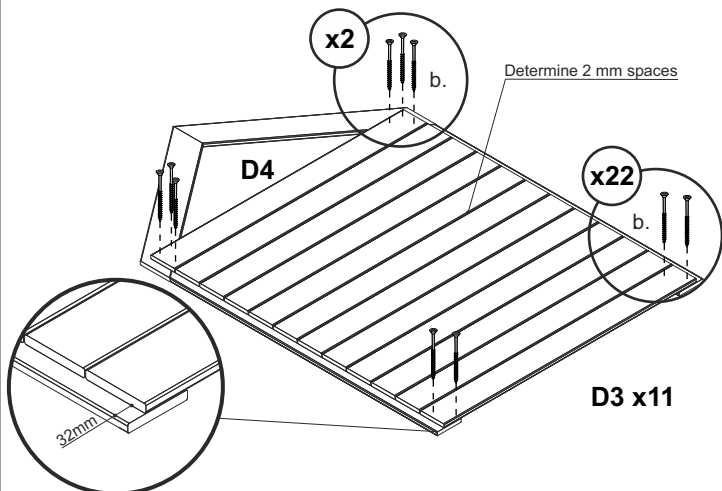
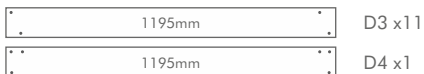


WALL D



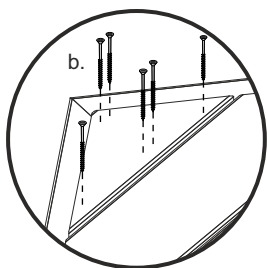
Step 15

b.) 3x30mm 50 pc.



Step 16

b.) 3x30mm 18 St.



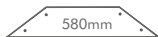
D5 x1



D6 x1



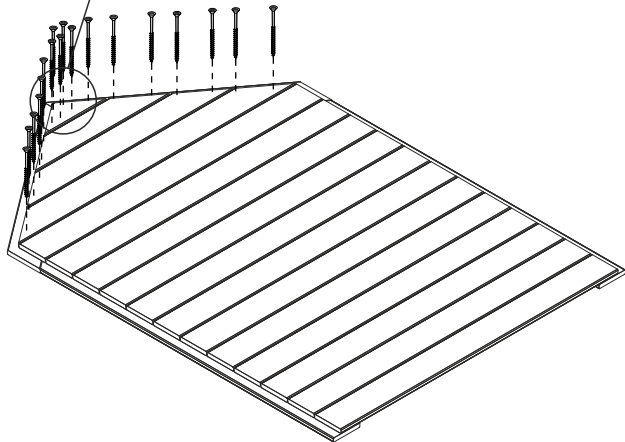
D7 x1



D8 x1



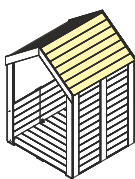
D8 D7 D6 D5



Step 17

α.) 3x30mm 76 pc.

ROOF E x2



E1 x14



E2 x4



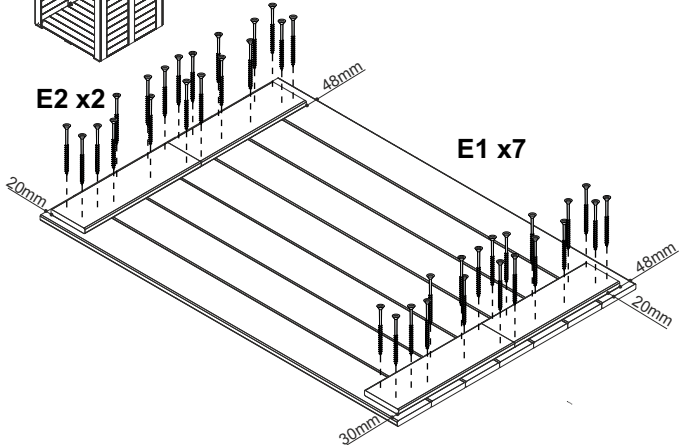
E3 x4



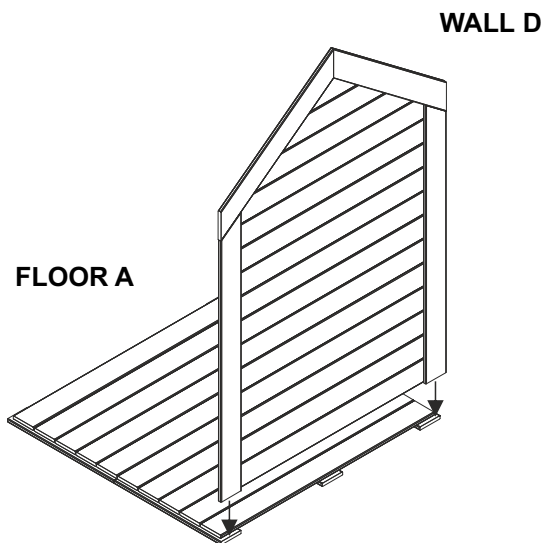
E3 x2

E2 x2

E1 x7

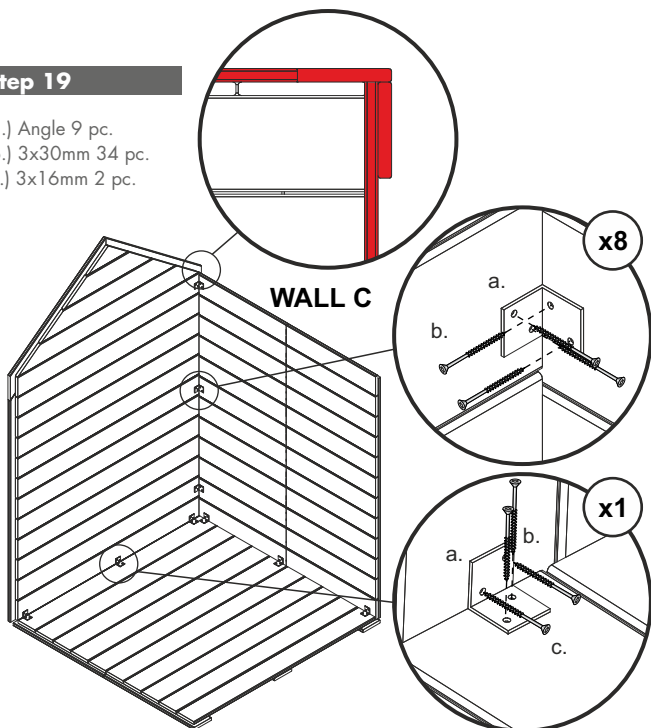


Step 18



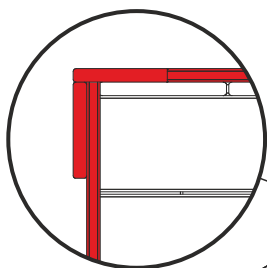
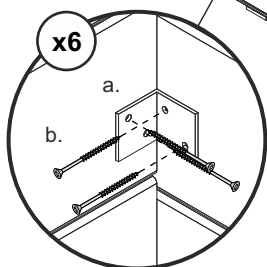
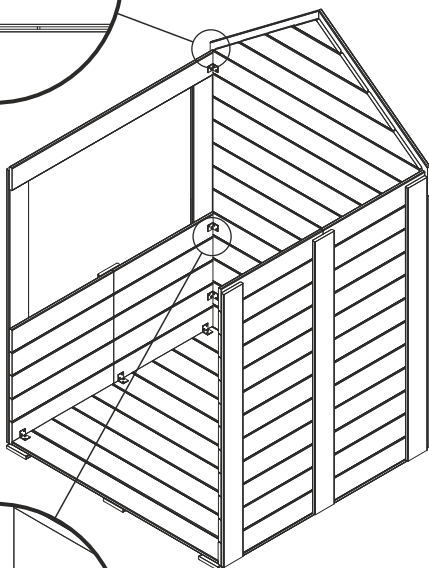
Step 19

- a.) Angle 9 pc.
- b.) 3x30mm 34 pc.
- c.) 3x16mm 2 pc.



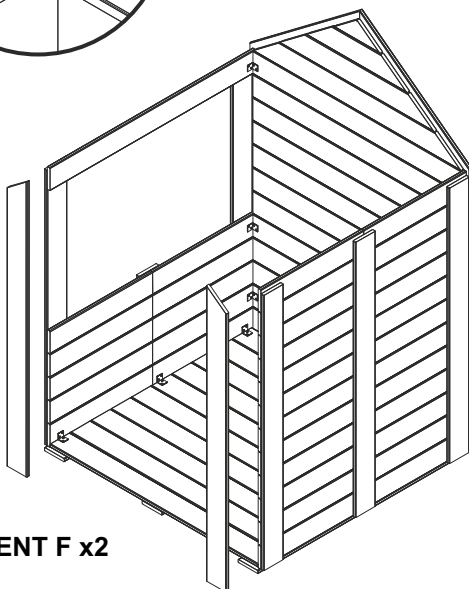
Step 20

- a.) Angle 6 pc.
b.) 3x30mm 24 pc.

**WALL A****Step 21**

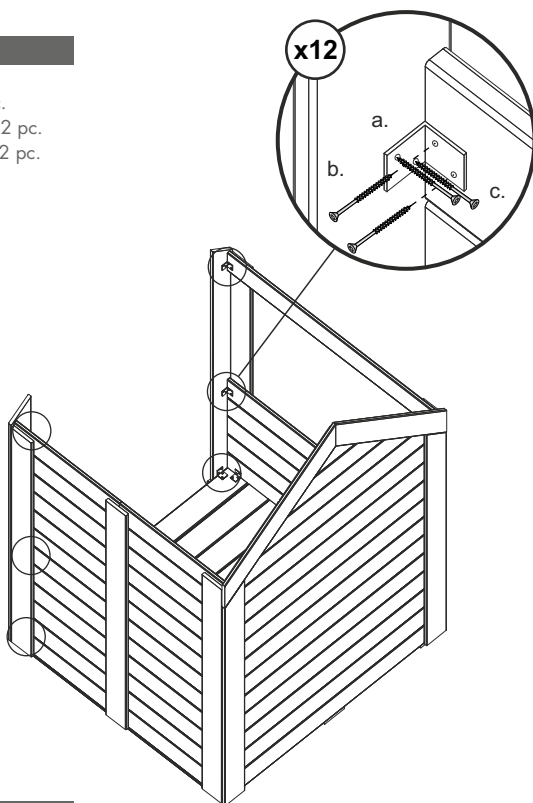
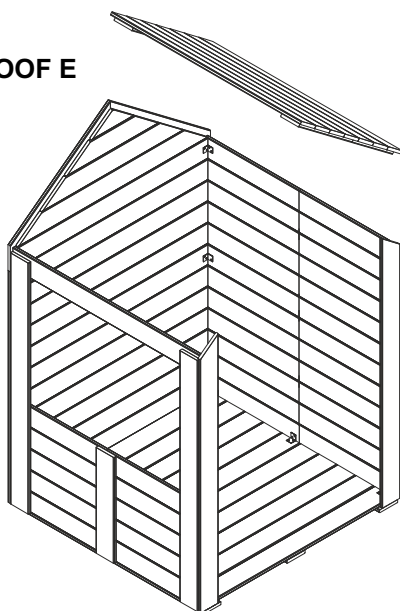
F1 x2

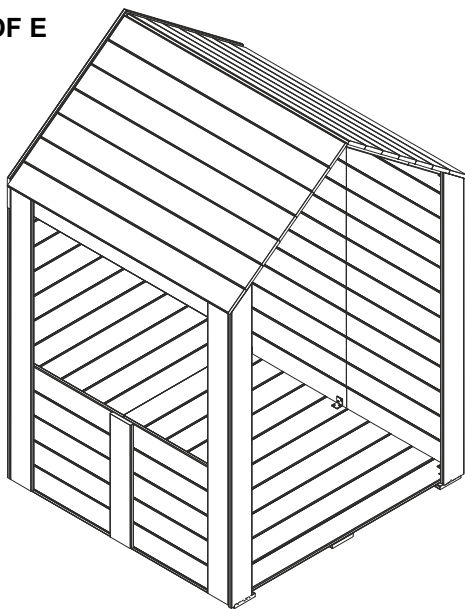
1470mm

**ELEMENT F x2**

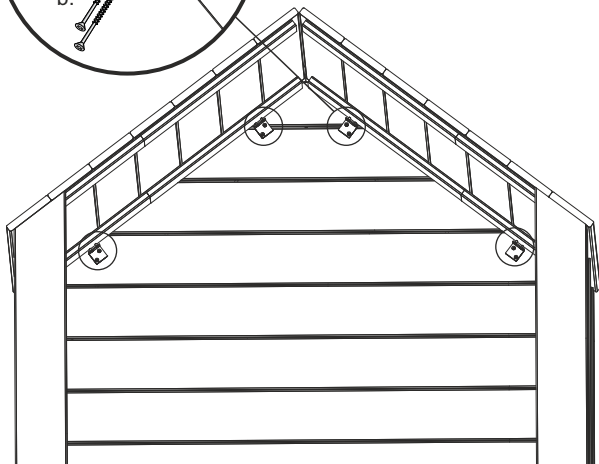
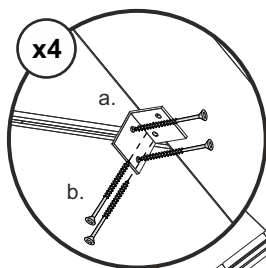
Step 22

- a.) Angle 6 pc.
- b.) 3x30mm 12 pc.
- c.) 3x16mm 12 pc.

**Step 23****ROOF E**

Step 24**ROOF E****Step 25**

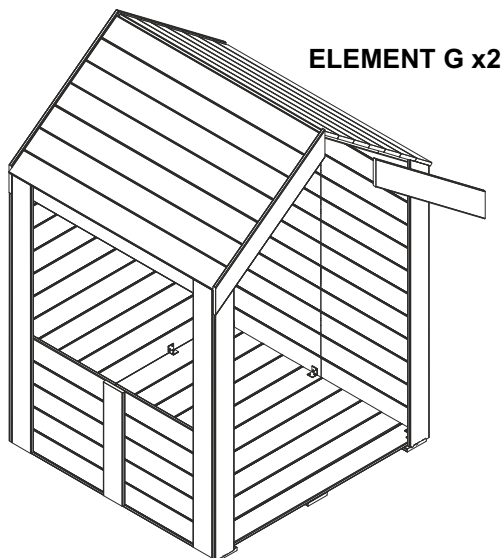
- a.) Angle 4 pc.
- b.) 3x30mm 16 pc.



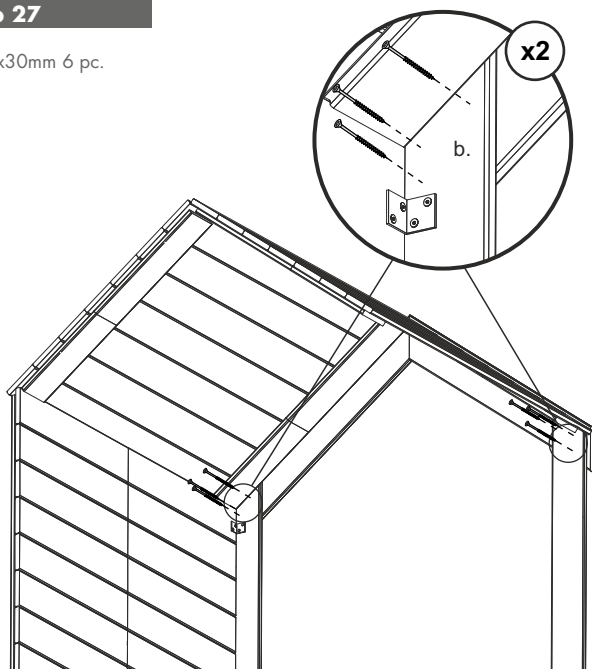
Step 26

875mm

G1 x2

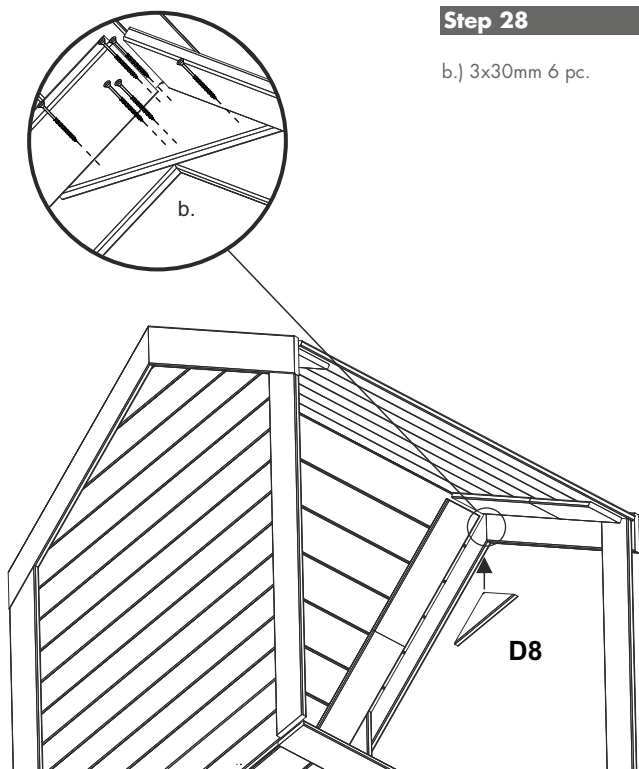
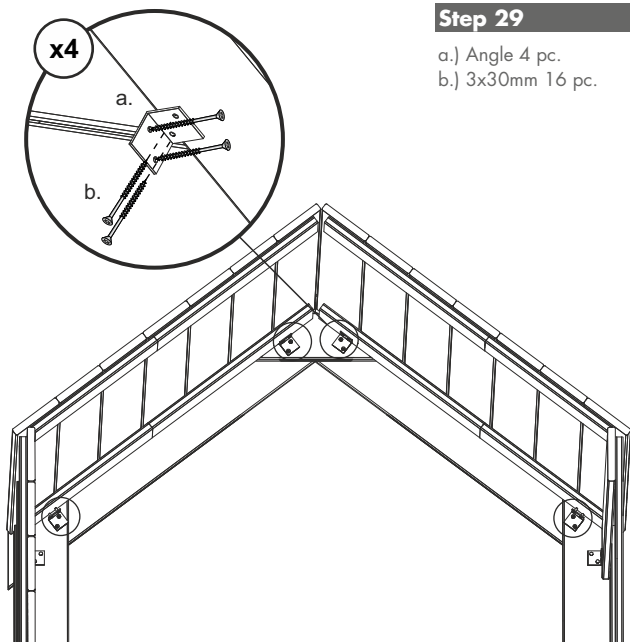
**Step 27**

b.) 3x30mm 6 pc.

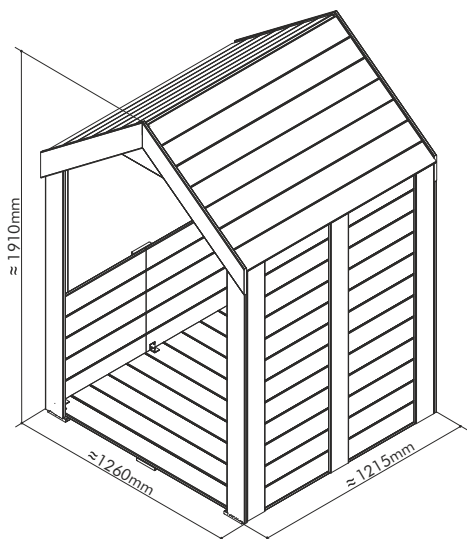


Step 28

b.) 3x30mm 6 pc.

**Step 29**a.) Angle 4 pc.
b.) 3x30mm 16 pc.

Step 30



*The **CROARD** sign can be sanded of, if necessary!

Comments:

.....

.....

.....

.....

.....

.....

.....

.....

.....

.....

.....

.....

.....

.....

.....

.....

.....

.....

.....

.....

.....

.....

.....

CROARD

An unseren CROARD-Displays finden Sie alles für Ihr Projekt!



Entdecken Sie weitere Produkte:



Sichtschutz
180cm x 180cm



Mülltonnenbox
92cm x 92cm x 120cm



Sandkasten
140cm x 140cm x 25cm



Pflanzgefäß
95cm x 92cm x 45cm



Kaminholzregal
190cm x 97cm x 182cm

Viele weitere auf
croard.com