

For this product,  
you need

**19**  
boards

**ante**



Assembly manual

# Privacy screen

1180cm x h180cm

Please remember about the assembly set.  
You can find the corresponding paint in  
the upper part of the rack.

Article no.: **30173xxx**



Version 1.1.0.

## Assembly



Assembly time



Number of people



Number of steps

## Tools



Cordless screwdriver



Measure



Sanding block

## Accessories

The assembly set contains:

- a. 64 pc. stainless steel screws TORX V2A 3x30 mm
- 1 pc. drilling template
- 1 pc. wood drill 2.5 mm
- 1 pc. bit TORX 10

Wood is a natural product, therefore it may shrink spontaneously, depending on the air humidity. Thus, it is possible for the board dimensions to vary by +/- 0.5 mm in thickness and +/- 2 mm in width. Therefore, during assembly it is necessary to account the natural size difference. This means that if the assembly manual specifies dimensions, they should be corrected or changed as necessary, in order to keep the distances the same.

**To watch a video assembly guide, scan the QR code**





If you chose the variant with pre-cut or pre-cut and pre-drilled boards, start the assembly from the respective step.

## Step 1

### You need:

19 boards (16mm x 114mm x 1800mm)

## Step 2

### Measurement

19x

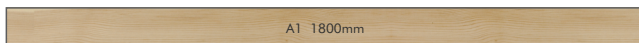


## Step 3

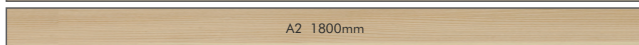
### List of parts

Arrange cut boards as shown on the included template.

2x



17x



## Step 4

### Drilling template

Use the drilling template to mark the holes. For initial drilling, use the included 2.5 mm drill bit. Drill only as many boards as specified next to the drilling template. Pay attention to appropriate colours, in order to match the holes to the respective board.

17x

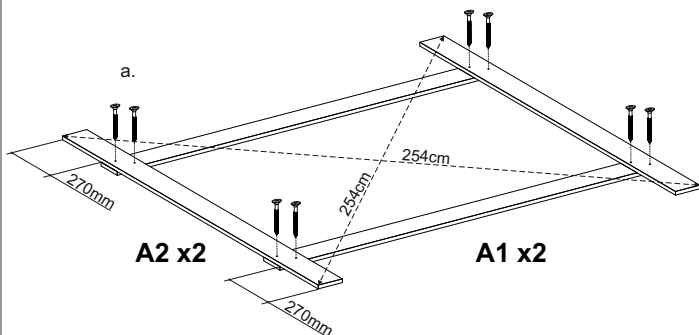
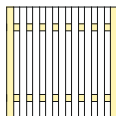


## Step 5



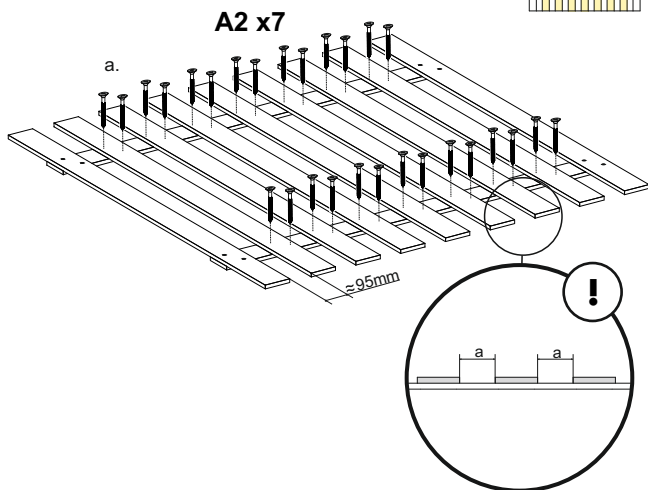
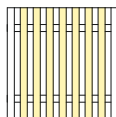
Make the bolts flush with the surface, **do not drive them deeper**, to prevent the bolts from jutting out on the other side of the board! Otherwise, a risk of laceration exists!

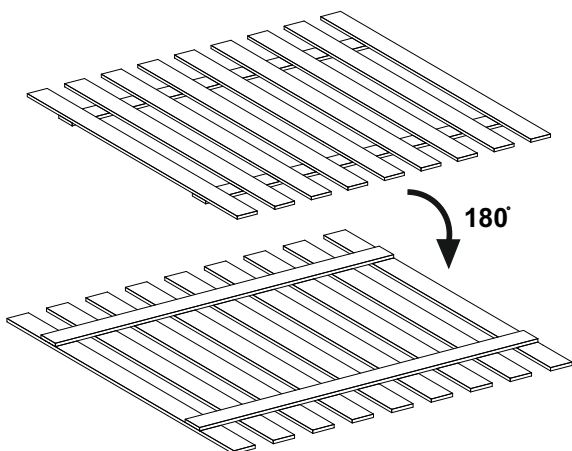
a.) 3x30mm 8 pc.



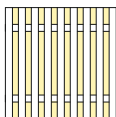
## Step 6

a.) 3x30mm 28 pc.



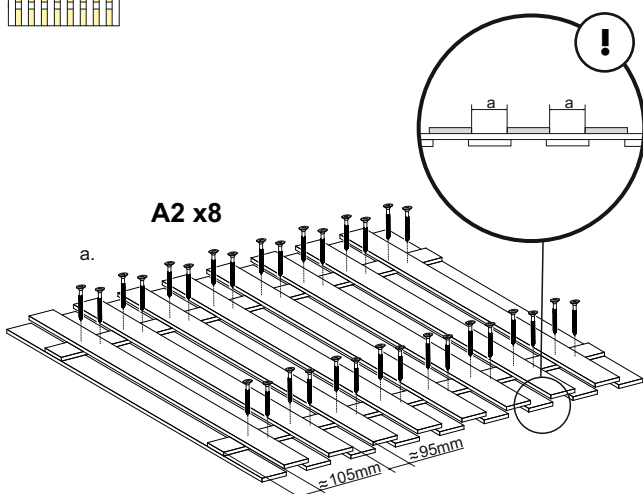
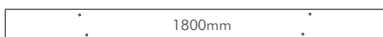
**Step 7****Step 8**

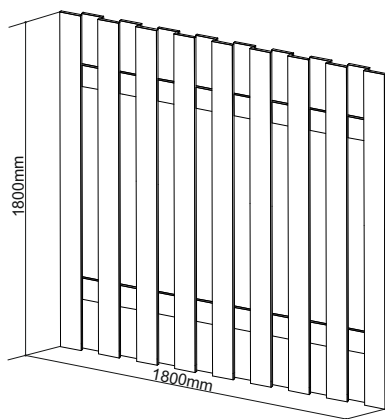
a.) 3x30mm 32 pc.



A2 x8

1800mm



**Step 9**

\*The **CROARD** sign can be sanded of, if necessary!

**Comments:**

.....

.....

.....

.....

.....

.....

.....

.....

.....

.....

.....

.....

.....

.....

.....

.....

.....

.....

.....

.....

.....

.....

.....

.....

.....



# CROARD

Among the CROARD products, you can find everything you need for your projects!



Feel free to browse other products:



Sandbox  
140cm x 140cm x 25cm



Waste bin enclosure  
92cm x 92cm x 120cm



Plant pot  
95cm x 92cm x 45cm



High flower bed  
95cm x 48cm x 89cm



Firewood stand  
190cm x 97cm x 182cm

View more on  
[croard.com](http://croard.com)